

PARTNER

5



1996:1

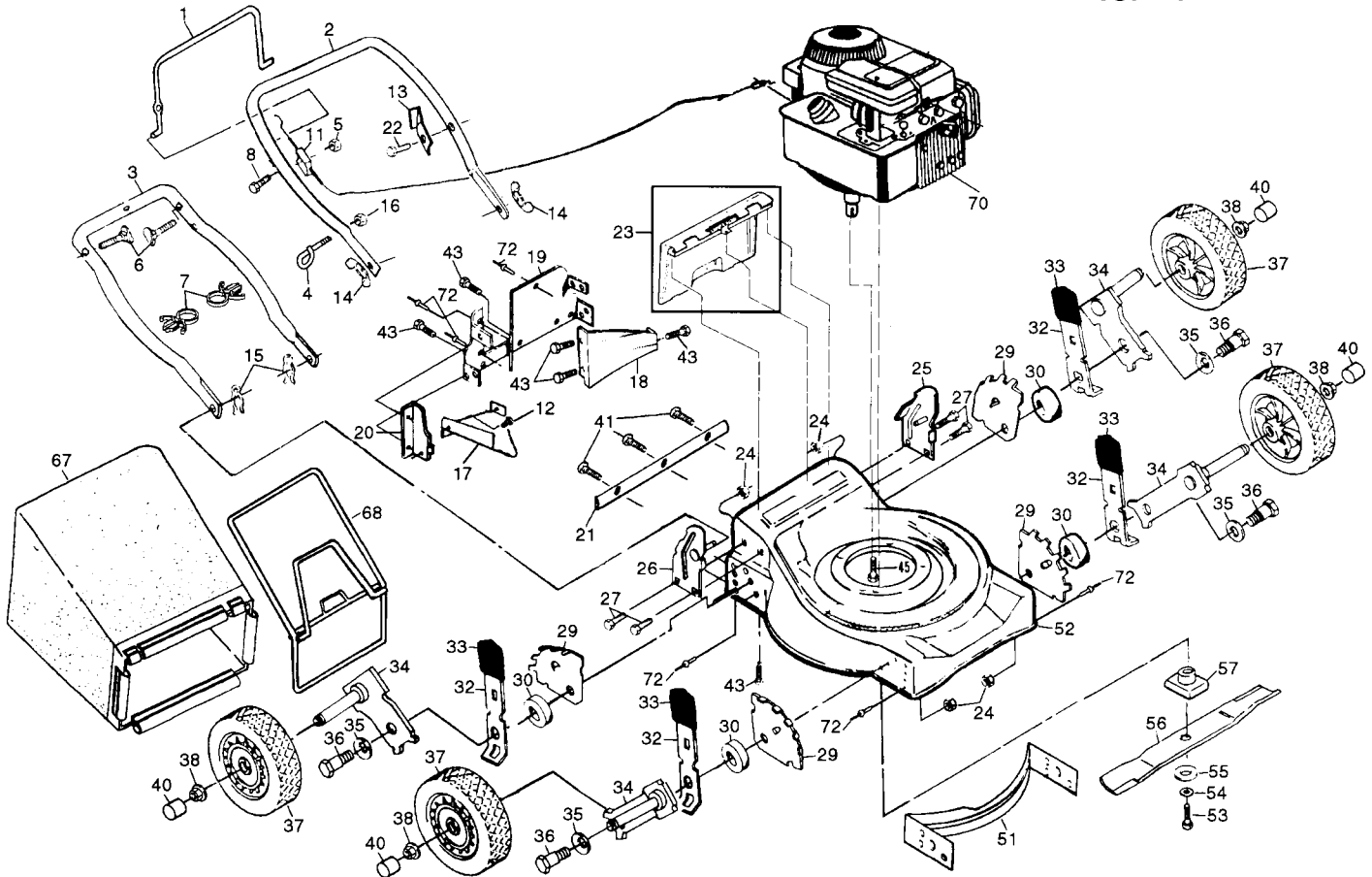
150 BS

Prod.No: 954 06 74-02

Engine: B & S 95902 Type: 3168 Trim: 02

SPAREPARTS

107 25 12-67



*These parts must be purchased through an authorized Briggs and Stratton dealer.

Key No.	Part No.	Description
1	532 13 16-96	Control Bar
2	532 15 34-07	Upper Handle
3	532 15 34-06	Lower Handle
4	532 13 20-01	Rope Guide
5	873 68 04-00	Locknut 1/4-20
6	532 13 19-59	Handle Bolt
7	532 15 15-17	Cable Clip
8	874 78 04-24	Machine Screw 1/4-20 x 1.5
11	532 85 16-71	Engine Zone Control Cable
12	532 15 00-50	Hex Washer Head Screw #10-24 x 1/2
13	532 12 51-62	Up-Stop Bracket
14	532 12 86-38	Wing Nut
15	532 05 17-93	Hairpin Cotter
16	873 68 04-00	Keys Locknut 1/4-20
17	532 12 53-78	Discharge Baffle
18	532 12 50-35	Rear Baffle
19	532 14 87-84	Back Plate
20	532 13 88-86	Side Baffle
21	532 14 61-43	Guard, Foot
22	817 02 10-08	Hex Tapping Screw #10-2
23	532 14 76-13	Rear Door Assembly Kit
24	873 68 06-00	Locknut 3/8-16
25	532 15 34-05	Handle Bracket Assembly (Left)
26	532 15 34-04	Handle Bracket Assembly (Right)
27	874 78 05-12	Screw 5/16-18 x 3/4
29	532 13 99-01	Wheel Adjusting Bracket
30	532 08 49-20	Spacer
32	532 14 17-30	Selector Spring
33	532 08 78-77	Selector Knob

Key No.	Part No.	Description
34	532 14 98-57	Axle Arm Assembly
35	532 06 23-35	Belleville Washer
36	532 14 27-48	Shoulder Bolt 3/8-16
37	532 80 02-20	Wheel Assembly
38	532 05 21-60	Washer
39	532 08 51-79	Retainer Clip
40	532 80 00-90	Hubcap
41	532 14 66-94	Screw
43	532 05 45-83	Hex Tapping Screw 1/4-20 x 1/2
45	532 15 04-06	Hex Head Thread Rolling Screw 3/8-16 x 1
51	532 12 54-13	Front Baffle
52	532 14 78-44	Housing Assembly (Incl. Ref. #46, 51, 19 & 20)
53	532 85 10-84	Hex Head Screw 3/8-24 x 1-3/8 Grd. B
54	532 85 02-63	Helical Lock Washer
55	532 85 10-74	Hardened Washer
56	531 02 01-34	20" Blade
57	532 85 09-77	Blade Adapter
67	532 14 98-67	Grass Bag
68	532 14 95-55	Catcher Frame
70	-----	*Engine - Briggs/Stratton Model No. 95902
72	532 12 84-15	Pop Rivet